

Technical data

Supply Voltage: 220-240 V~, 50 Hz

Bulb Type: 67361--1.2W LED module (SMD), 6500K
73464--1.2W LED module (SMD), 3000K

These products contain a light source of energy efficiency class **G**.

 Non-replaceable light source


 Non-replaceable control gear

 Conformity with all relevant UKCA Directive requirements.

 Conformity with all relevant EC Directive requirements.

 The power supply is Double Insulated and does not require connection to an Earth circuit.

 Waste electrical products should not be disposed of with household waste. Please recycle where facilities exist. Check with your Local Authority or local store for recycling advice.

 This product is not suitable for dimming.

 This product is rated at IP67.

Care and Safety

We recommend cleaning with a soft dry cloth. Do not use solvents or abrasive cleaners as these could damage the finish. For your safety, always switch off the power supply before cleaning.

For further information, please visit <https://www.lighting-info.co.uk/67361>

V8 29/11/2021
UK Manufacturer: BH17 7BY
EU Manufacturer: Brilliant AG,
Brillantstrasse 1, D-27442 Gnarrenburg

saxby
lighting

Instruction manual

Hayz Recessed Light

67361, 73464



www.saxbylighting.com

saxby
lighting

Thank you for purchasing this light fitting. Please read the instructions carefully before use to ensure safe and satisfactory operation of this product. Please retain these instructions for future reference.

Warning



This light fitting is double insulated and does not require connection to an Earth circuit.

Please read these instructions carefully before commencing any work.

This unit must be fitted by a competent and qualified electrician.

Check the pack and make sure you have all the parts listed.

Install in accordance with the IEE Wiring regulations and current Building Regulations.

To prevent electrocution switch off at mains supply before installing or maintaining this fitting. Ensure other persons cannot restore the electrical supply without your knowledge. If you are in any doubt, please consult a qualified electrician.

This light fitting should be connected to a circuit with a 30mA RCD fitted.

This system contains non-replaceable parts and cannot be serviced. If damage occurs the part should be scrapped.

If replacing an existing fitting, make a careful note of the connections.

This product is manufactured from marine grade stainless steel, making it suitable for application in coastal environments.

Please note that the entire unit gets hot whilst on for a period of time.

This fitting is primarily designed to fitted into decking. It is not recommended to be used in concrete or paving slabs. Under no circumstances should this fitting be driven over.

Waste electrical products should not be disposed of with household waste. Please recycle where facilities exist. Check with your local authority or retailer for recycling advice.

Layout

Plan the desired layout of these fittings carefully, ensuring the cables will reach the distances between the junction box and each light fitting.

Avoid locating any cables in positions that would cause a hazard. Position cables and outdoor rated junction boxes (not supplied) away from areas where they may be at risk from being cut, trapped or damaged.

Suitable outdoor cables must be used and protected using suitable conduit or plastic trunking.

We recommend that you use H05RN-F specification cable which is an outdoor grade, rubber sheathed cable.

The mains supply cable must have minimum cross sectional area of 1.0mm².

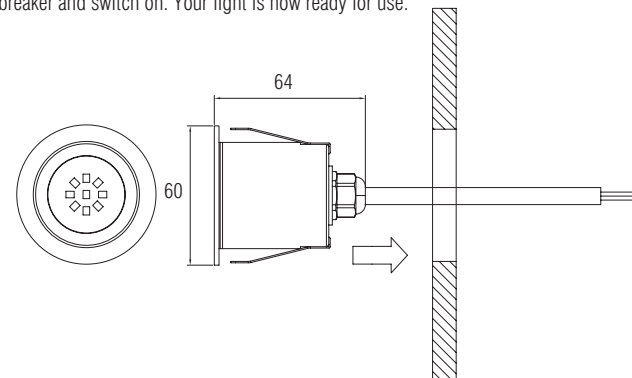
Installation

Existing fittings must be completely removed before installation of a new product. Before removing the existing fitting, **carefully note the position of each set of wires**.

Note that the switch is turned off before installation.

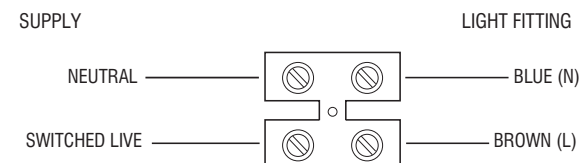
After deciding the layout of the light fitting/s, and the position of the junction box, ensure the cables are long enough to the desired positions.

- Ensure that there is some slack cable to allow removal of the unit.
- Cut a 50mm diameter hole in the mounting surface. The hole must be at least 110mm deep to allow the product to sit properly.
- Take care not to damage any pipes or cables beneath the mounting surface.
- Ensure that adequate room is left for the cable.
- Feed the cable of each unit through the mounting holes and check the fit of the unit in the hole.
- Refit the cover on the IP terminal block, ensuring that the seals are correctly located.
- Push the unit into the hole, and adjust the cable so it does not get snagged.
- Replace fuse or circuit breaker and switch on. Your light is now ready for use.



Wiring

Having correctly identified the wiring from your existing light fitting, connect to the approved IP67 (or higher rated) terminal block in the following way (recommended terminal block ref. 90131/90132)



Check that...

You have correctly identified the wires.

The connections are tight.

No loose strands have been left out of the connection block.